



Project _____

Item No. _____

Quantity _____

18" PIZZA DELIVERY SYSTEM



PERFORMANCE

The CookTek® Pizza Delivery System is comprised of a lightweight thermal FlashPak™ disc, pellet centering tray (PCT), system-specific VaporVent™ delivery bag, and an induction charger base. The FlashPak™ disc and PCT tray reside in the VaporVent™ bag. When the bag is placed on the charger, the disc automatically heats up. After it is heated to the desired temperature, the thermal disc automatically stops heating. Once removed from the charger, the FlashPak™ disc retains its temperature for up to 30 minutes.

FEATURES

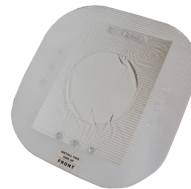
- Designed for a pizzas up to 18-inches (457.2 mm)
- Induction-charged thermal disc keeps up to three pizzas at a consistent, hot temperature for up to 30 minutes
- Fast heat-up – initial charge takes less than three minutes; recharges in as little as 60 seconds
- Cool to the touch charger surface
- Designed to withstand exposure to grease, oil, flour, and other food substances
- Lighted display for easy operation
- Cordless delivery bag with VaporVent™ lid to eliminate condensation
- Lightweight – delivery bag and FlashPak™ disc have combined weight of 3.9 lb.
- FlashPak™ disc and Pellet Centering Tray can be removed for bag cleaning and replacement
- Self-diagnostic features alert user in the event of an error
- Includes plug and cord (6 ft. nominal)
- Two-year advanced replacement warranty – U.S. and Canada (charger only)

ACCESSORIES

- 1 18" VaporVent™ Bag with Pellet Centering Tray (Part # 300849A) – included with purchase
- 1 18" Pellet Centering Tray (Part # 300813) – included with purchase
- FlashPak™ Disc (Part # 400017)



400017



300811



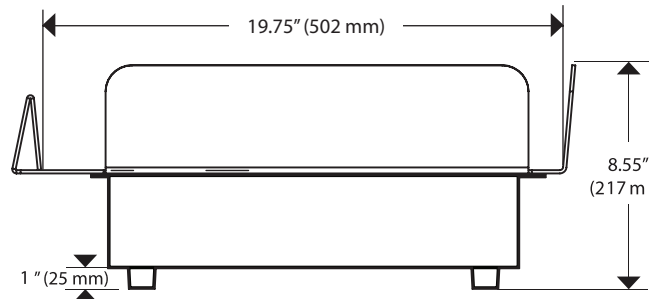
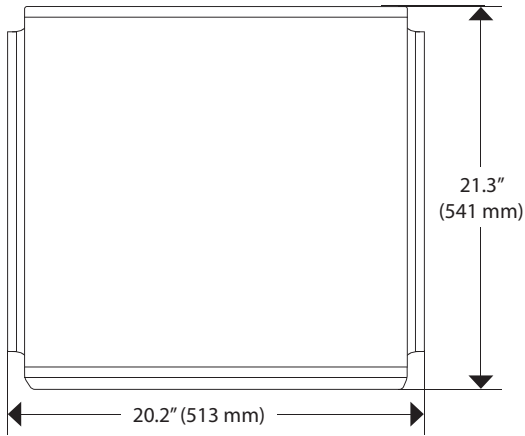
300878A

CERTIFICATIONS



*The Pizza Delivery System charger is specifically designed for use with CookTek-approved delivery bags.

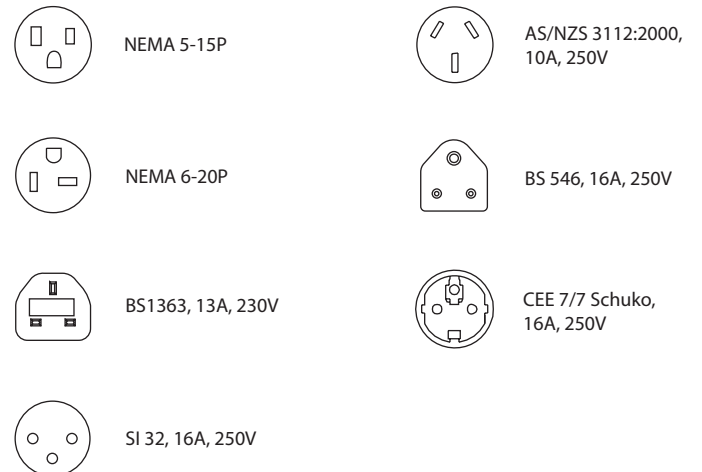
It is the owner and installer's responsibility to comply with all local codes. CookTek reserves the right to make substitutions of components or change specifications without prior notice.



DIMENSIONS (CHARGER)		
Unit Height	8.55"	217 mm
Unit Width	20.2"	513 mm
Unit Depth	21.3"	541 mm
Feet Height	1"	25 mm
Weight	20 lb.	9.1 kg
Max Ambient Temperature	122°F	50°C
CLEARANCE		
Front	2"	51 mm
Sides	2"	51 mm
Below (Countertop)	The space underneath and between the legs should be kept free from obstruction.	
Below (Recessed/Drop-in)	6"	152 mm
SHIPPING INFORMATION		
Packaged Height	13"	330 mm
Packaged Width	23"	584 mm
Packaged Depth	24"	609 mm
Packaged Weight	24 lb.	10.8 kg
Item Class	250 NMFC #26710	

ELECTRICAL SPECIFICATIONS (SINGLE PHASE)			
MODEL XLPTDS1800/120 (XLPTDS100)			
UNITED STATES/ CANADA	602101	100-120 V, 50/60 Hz, 15 A, 100-1800 W	NEMA 5-15P
MODEL XLPTDS1800/240 (XLPTDS200)			
UNITED STATES/ CANADA	606401	200-240 V, 50/60 Hz, 8 A, 100-1800 W	NEMA 6-20P
UK/ SAUDI ARABIA	606402	200-240 V, 50/60 Hz, 8 A, 100-1800 W	BS1363, 13A, 230V
INTERNATIONAL	606403	200-240 V, 50/60 Hz, 8 A, 100-1800 W	CEE 7/7 Schuko, 16A, 250V
AUSTRALIA	606404	200-240 V, 50/60 Hz, 8 A, 100-1800 W	AS/NZS 3112:2000, 10A, 250V
JAPAN	606406	200-240 V, 50/60 Hz, 8 A, 100-1800 W	N/A
SOUTH AFRICA	606407	200-240 V, 50/60 Hz, 8 A, 100-1800 W	BS 546, 16A, 250V
ISRAEL	606408	200-240 V, 50/60 Hz, 8 A, 100-1800 W	SI 32, 16A, 250V

Dedicated circuit required for each installation.



Global Operations
 2801 Trade Center Drive / Carrollton, Texas 75007 USA
 US: 800.90TURBO (800.908.8726) / International: +1 214.379.6000
 Fax: +1 214.379.6073 / www.cooktek.com